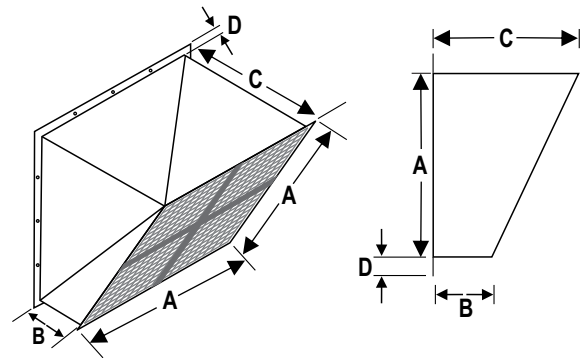
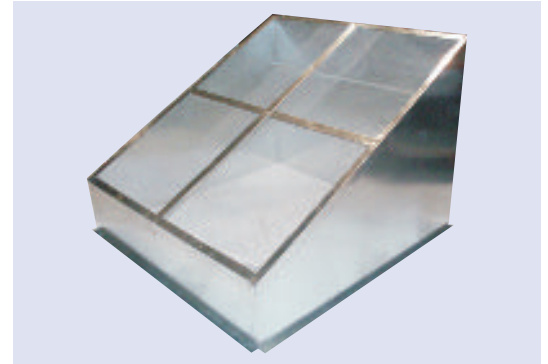


ACCESORIOS PARA VENTILADORES AXIALES (AXIAL WALL FAN ACCESSORIES)

CUBIERTA PARA INTEMPERIE (WEATHERHOOD)

DIMENSIONES GENERALES (DIMENSIONS)

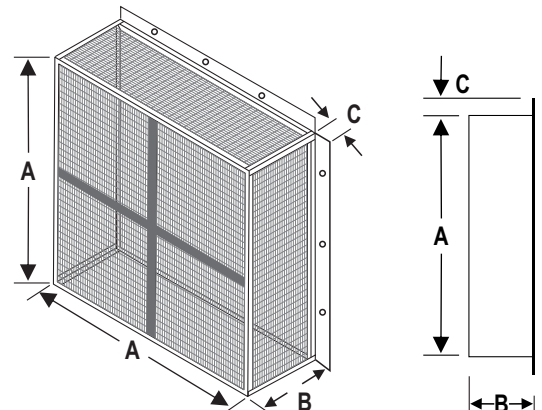
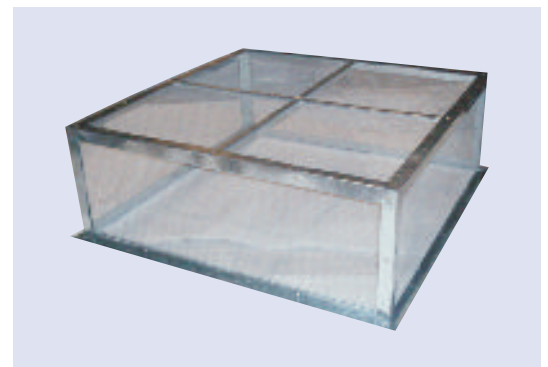
MODELO (MODEL)	PULGADAS (INCHES)				No. DE BARRENOS (No. of Holes)
	A	B	C	D	
C-08	12 1/2	8	14	1	8
C-10	14 1/2	8	14	1	8
C-12	16 1/2	8	16	1	8
C-14	18 1/2	8	18	1	8
C-16	20 1/2	8	20	1	8
C-18	22 1/2	8	22	1	8
C-20	24 1/2	8	24	1	8
C-24	30 1/2	12	27	1 1/2	12
C-30	36 1/2	12	30	1 1/2	12
C-36	42 1/2	12	33	1 1/2	12
C-42	48 1/2	12	36	1 1/2	12
C-48	54 1/2	12	40	1 1/2	12
C-60	68 1/2	24	48	1 1/2	16



MALLA DE PROTECCION PARA INTERIOR (INDOOR GUARD)

DIMENSIONES GENERALES (DIMENSIONS)

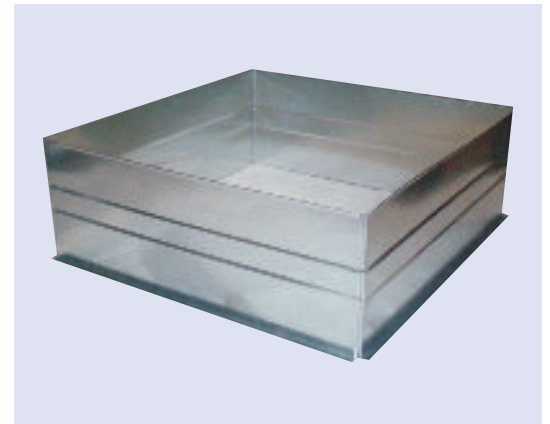
MODELO (MODEL)	PULGADAS (INCHES)			No. DE BARRENOS (No. of Holes)
	A	B	C	
M-08	12 1/2	10	1	8
M-10	14 1/2	10	1	8
M-12	16 1/2	10	1	8
M-14	18 1/2	10	1	8
M-16	20 1/2	10	1	8
M-18	22 1/2	12	1	8
M-20	24 1/2	12	1	8
M-24	30 1/2	18	1 1/2	12
M-30	36 1/2	18	1 1/2	12
M-36	42 1/2	18	1 1/2	12
M-42	48 1/2	20	1 1/2	12
M-48	54 1/2	20	1 1/2	12
M-60	68 1/2	33	1 1/2	16



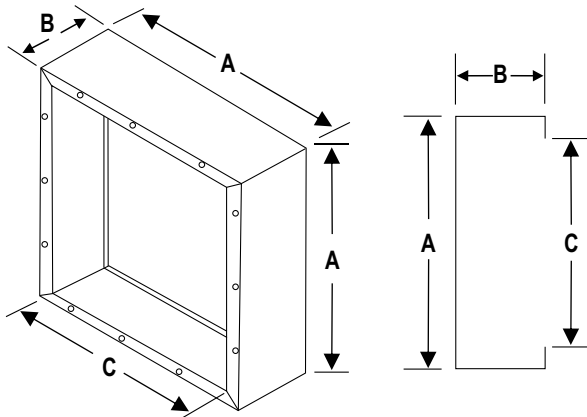
UNION PARA PERSIANA

DIMENSIONES GENERALES (DIMENSIONS)

MODELO (MODEL)	PULGADAS (INCHES)			No. DE BARRENOS (No. of Holes)
	A	B	C	
U-08	12 1/2	12	10	8
U-10	14 1/2	12	12	8
U-12	16 1/2	12	14	8
U-14	18 1/2	16	16	8
U-16	20 1/2	16	18	8
U-18	22 1/2	16	20	8
U-20	24 1/2	16	22	8
U-24	30 1/2	18	32 1/4	12
U-30	36 1/2	18	38 1/4	12
U-36	42 1/2	18	44 1/4	12
U-42	48 1/2	20	50 3/8	12
U-48	54 1/2	20	56 3/8	12
U-60	68 1/2	20	70 3/8	16



MODELOS U-08,10,12,14,16,18,20



MODELOS U-24,30,36,43,48,60

